

# R41EZ

Intel®Celeron CPU,  
Support 4 network ports and VGA  
independent display



### Product Features

- Integrated Intel® Celeron J4125 2.0GHz quad-core quad-thread processor
- 1\* SODIMM slot, support single channel 2400MHz DDR4 memory, maximum support 8GB
- Support 1\*VGA display output
- 4\* WGI211AT Gigabit LAN chip, support LAN/PXE function
- Support 1\* CISCO standard RS232 serial interface
- Support 1\* USB3.0 interface, 2\* USB2.0 interface
- Power supply supports DC 12V input
- Fanless cooling structure, all aluminum alloy chassis

model	R41EZ V1.0(j4125)	
Chassis	Material/Structure	All aluminum alloy material, fanless cooling structure
	color	Iron gray
	Size (length, width and height)	128mm*128mm*41mm
	Install	Desktop or Wall Mounted
motherboard	CPU	Integrated Intel® Celeron J4125 2.0GHz quad-core quad-thread processor, TDP 10W,Compatible with all Intel® Gemini Lake CPUs
	system chip	SOC
	Display	Integrated Intel® UHD Graphics 600 Core Graphics
	Memory	1* SODIMM slot, support single channel 2400MHz DDR4 memory, maximum support 8GB
front panel interface	POWER	1*Power switch
	COM	1* CISCO standard RS232 serial interface
	USB	2* USB2.0 interface, 1*USB3.0 interface
rear panel interface	display interface	1*VGA interface
	LAN	4* Intel WGI211AT Gigabit LAN chip, support LAN/PXE function
	power supply	1* DC JACK power interface, support DC 12V power input
storage	SATA	1* Standard SATA2.0 hard disk interface, transfer speed up to 3Gbps
	SSD	1* MSATA slot, support SSD solid state drive, SSD transfer speed up to 3Gbps
expand	Mini PCIE	1*Mini-PCIE slot, support WIFI/4G module Note: WIFI and LAN4 are optional, the default is LAN4
software support	Microsoft Windows	Windows 7/10, 64bit (without key)
	Linux	Ubuntu
	Watch Dog	Support hardware reset function (256 levels, 0~255 seconds)
power requirements	Power Type	External power adapter
	Voltage input	DC 12V
	power output	AC TO DC, 36W / 60W (optional)
surroundings	Operating temperature	-10℃~60℃

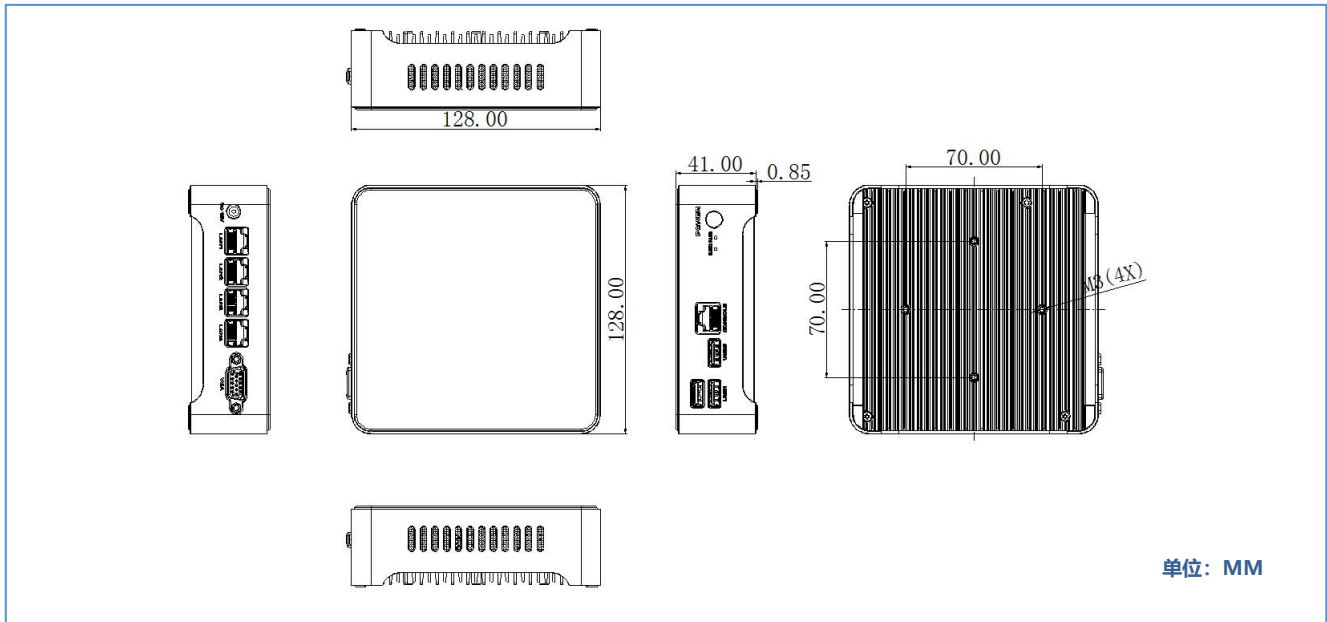


NANO准系统

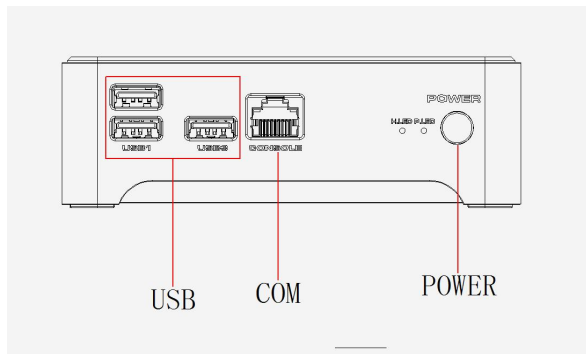
所有产品规格变更，均不另行通知

	storage temperature	-20℃~70℃
	Relative humidity	5%-95% relative humidity, no condensation
	work vibration	0.5g rms/5-500HZ/random/operating

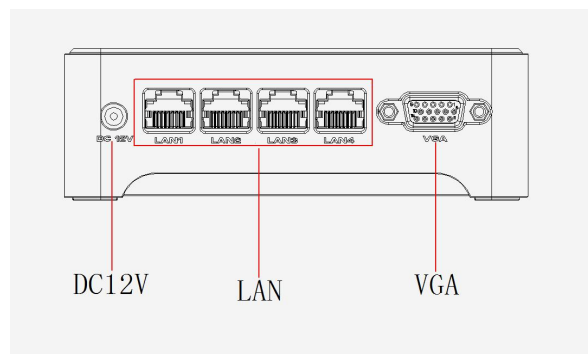
## 尺寸图



### 前面板外置I/O视图



### 后面板外置I/O视图



## 订货信息

No.	Model	Processor	Motherboard	Memory	M.2	GPIO	LAN	COM	HD OUTPUT	VGA	USB2.0	USB3.0	SIM	power-input
1	R19FZ	J1900/2.00GHz	STX-R19F	1*DDR3L	N/A	N/A	4*WG82583V	1	N/A	1	2	1	N/A	DC 12V
2	R19EZ V1.0(J1900)	J1900/2.00GHz	STX-R19E	1*DDR3L	N/A	N/A	4*WGI211AT	1	N/A	1	2	1	N/A	DC 12V
3	R41EZ V1.0(J4125)	J4125 /2.0GHz	STX-R41E	1* DDR4	N/A	N/A	4*WGI211AT	1	N/A	1	2	1	N/A	DC 12V